

CUBICLE AREA - A

O2 Series Corporate Office Furniture

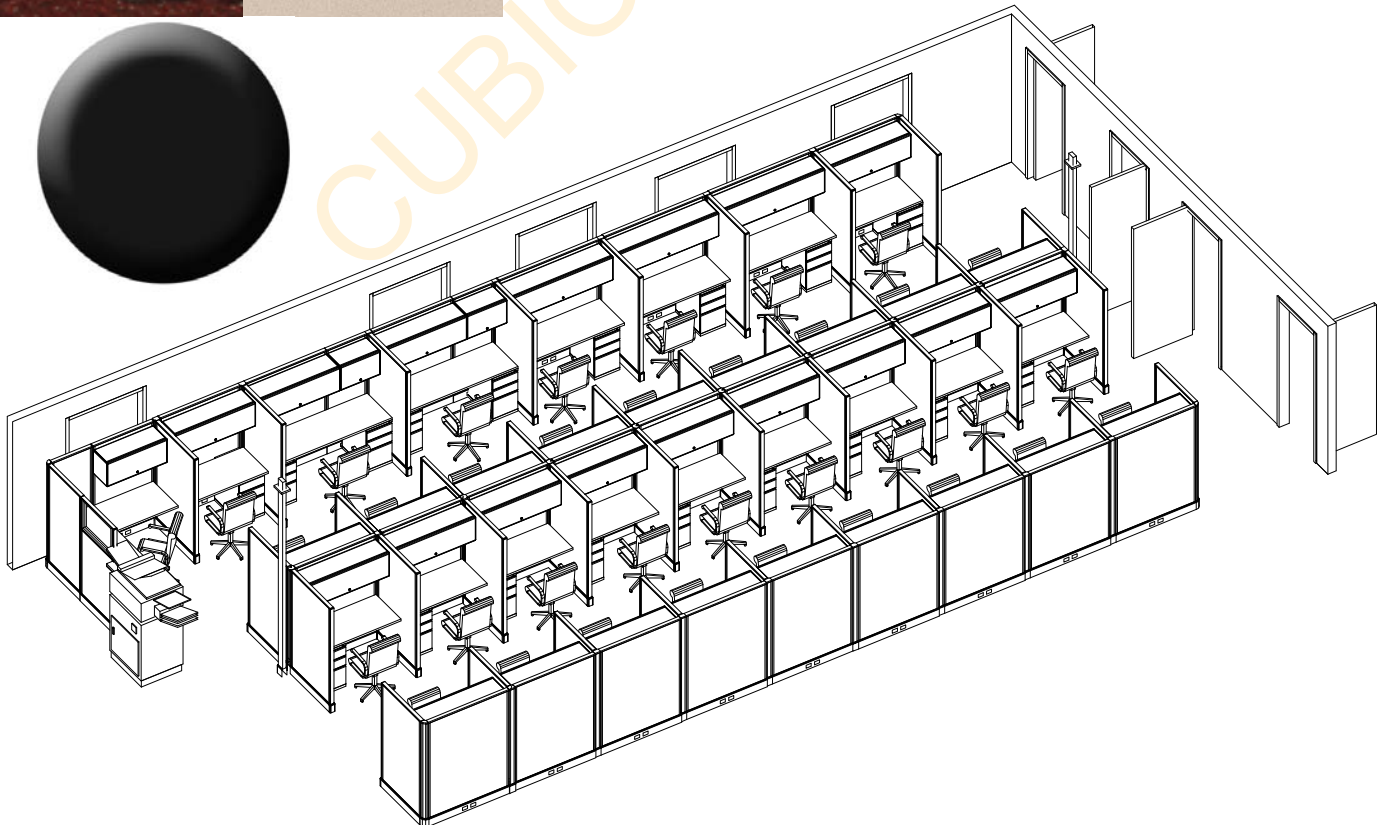
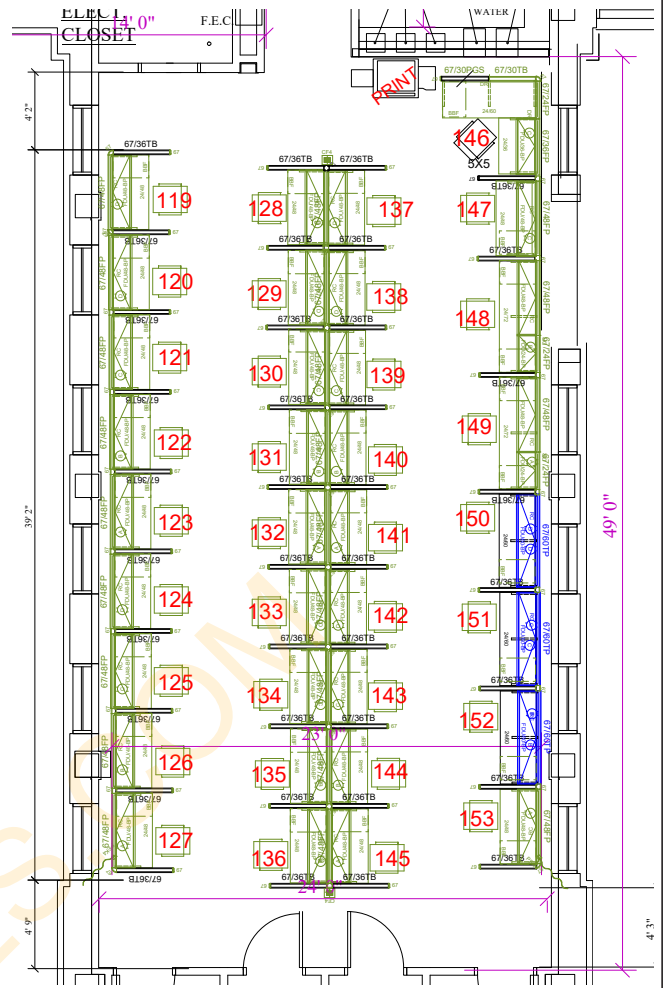
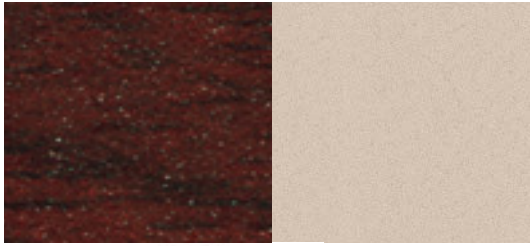
[35] POWERED STATIONS

- [1] 5'X6'X53/67"H
- [3] 2'X5'X67"H
- [2] 2'X6'X67"H
- [29] 2'X4'X67"H

*MAJORITY OF STATIONS ARE EXISTING TO BE DISSASSEMBLED FROM THE 6TH FL., MOVED AND RE-ASSEMBLED ON THE 5TH FL.

ACCESSORIES:
OVERHEAD UNIT - FABRIC DOOR
PEDESTAL

FABRIC: GILFORD | COLLECTION: ANCHORAGE |
COLOR: BIRCH [2335-2129]
PAINT: BU
LAMINATE: EMPIRE MAHOGANY - OPTION 1



CUBICLE AREA - B

O2 Series Corporate Office Furniture

*PANELS ALONG AISLEWAY: @ 67" H

*PANELS TRANSPARENT FOR VISUAL PURPOSE ONLY.

[23] POWERED STATIONS

[11] 5'X6'X53/67"H

[12] 2'X4'X67"H

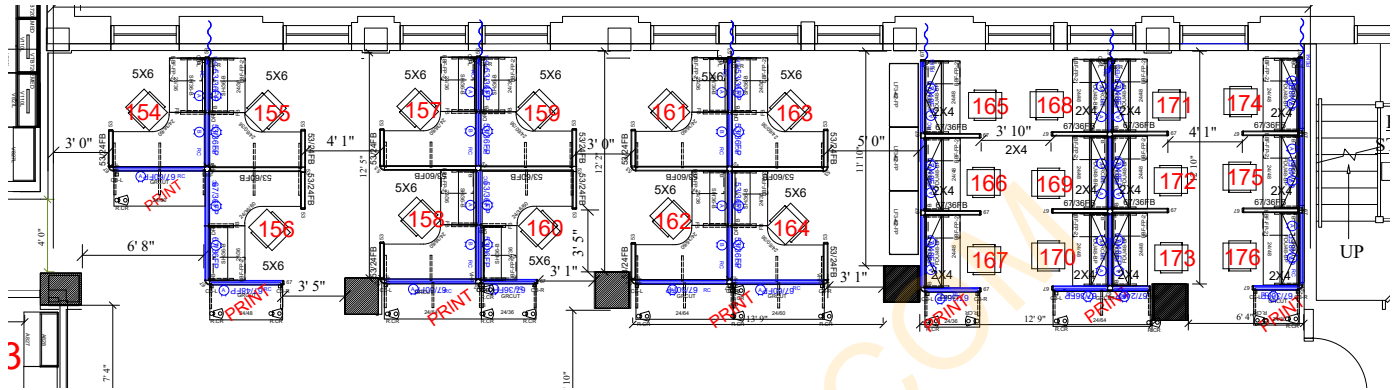
ACCESSORIES:

HALF-HEIGHT SHELF - L-SHAPE STATIONS

OVERHEAD UNITS - STRAIGHT STATIONS

PEDESTAL

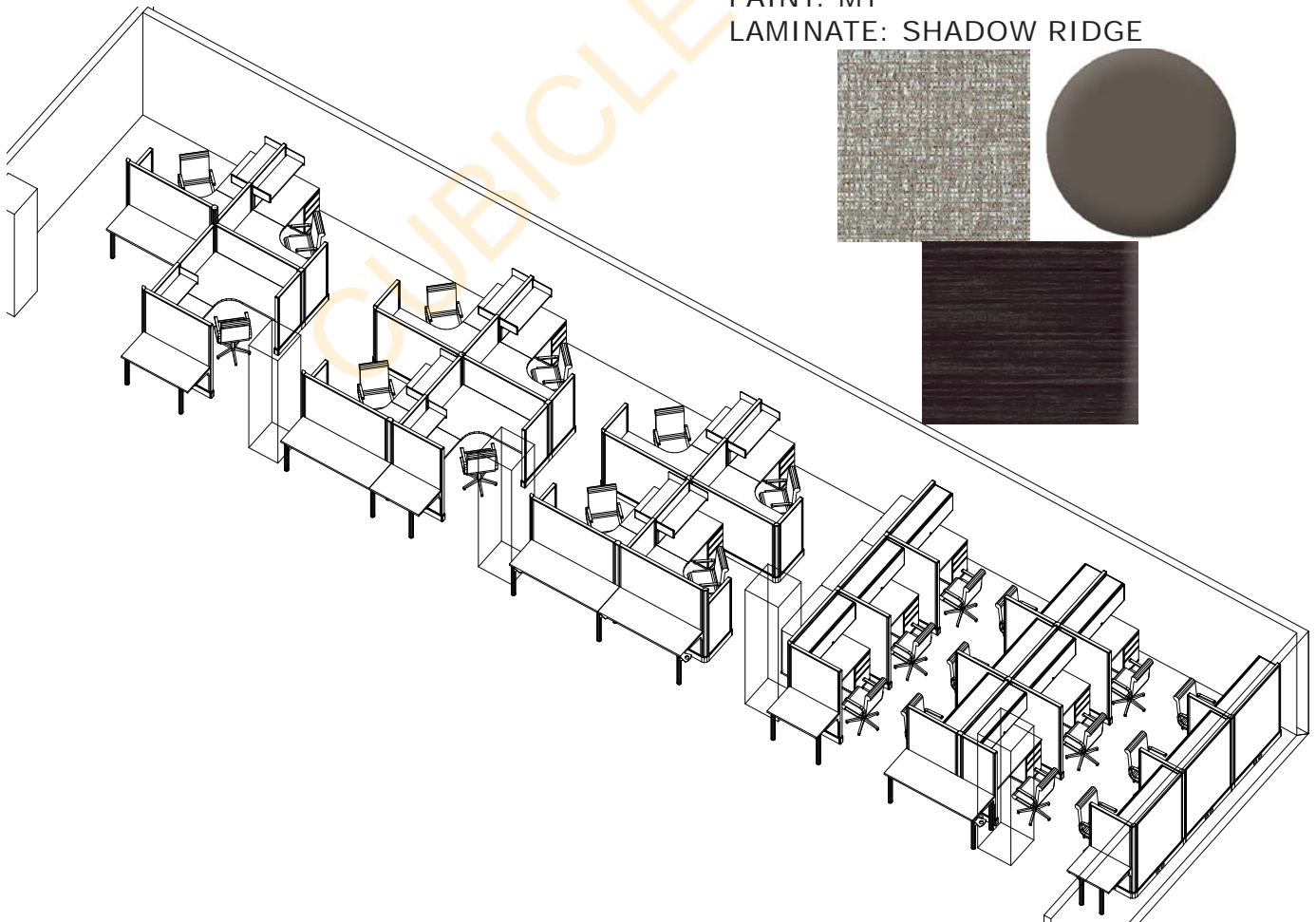
TACKBOARD



FABRIC: BURCH FABRICS [COLLECTION: UNISON | COLOR: PUTTY 7318

PAINT: MT

LAMINATE: SHADOW RIDGE



CUBICLE AREA C

*O2 Series Corporate Office Furniture

[16] POWERED STATIONS

[16] 5'X5'X53/67"H

[3] 42"W 3-DRAWER LATERAL FILES

[1] PRINT STATION

*PANELS ALONG AISLEWAY: @ 67"H

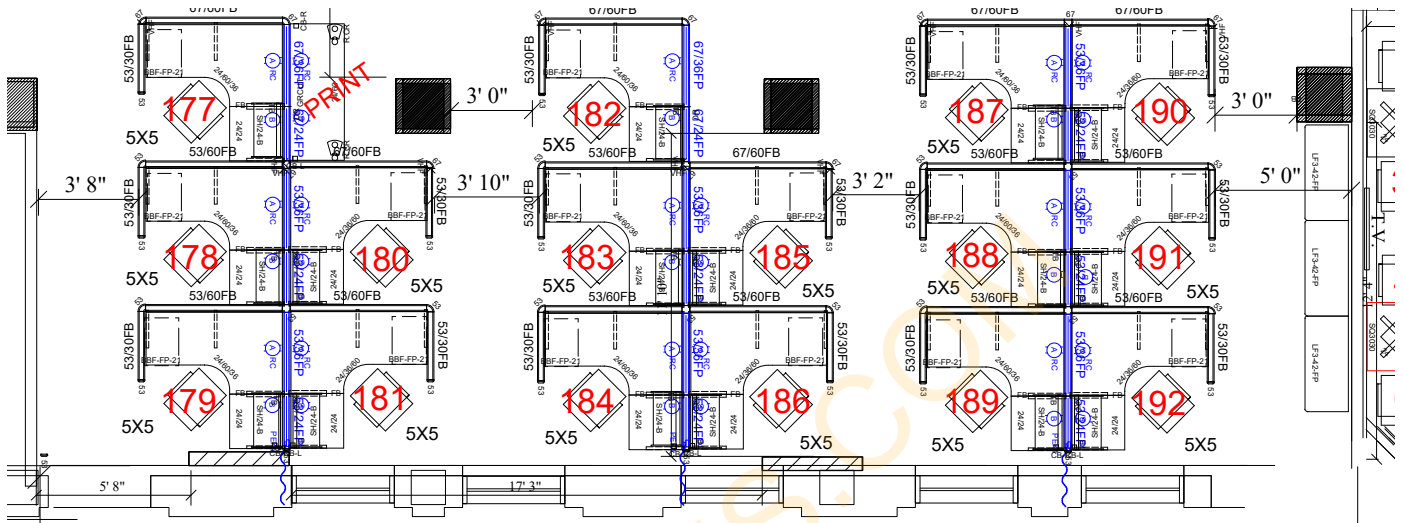
*PANELS TRANSPARENT FOR VISUAL PURPOSE ONLY.

ACCESSORIES:

HALF-HEIGHT SHELF

PEDESTAL

TACKBOARD



FABRIC: BURCH FABRICS [COLLECTION:

UNISON | COLOR: PUTTY 7318

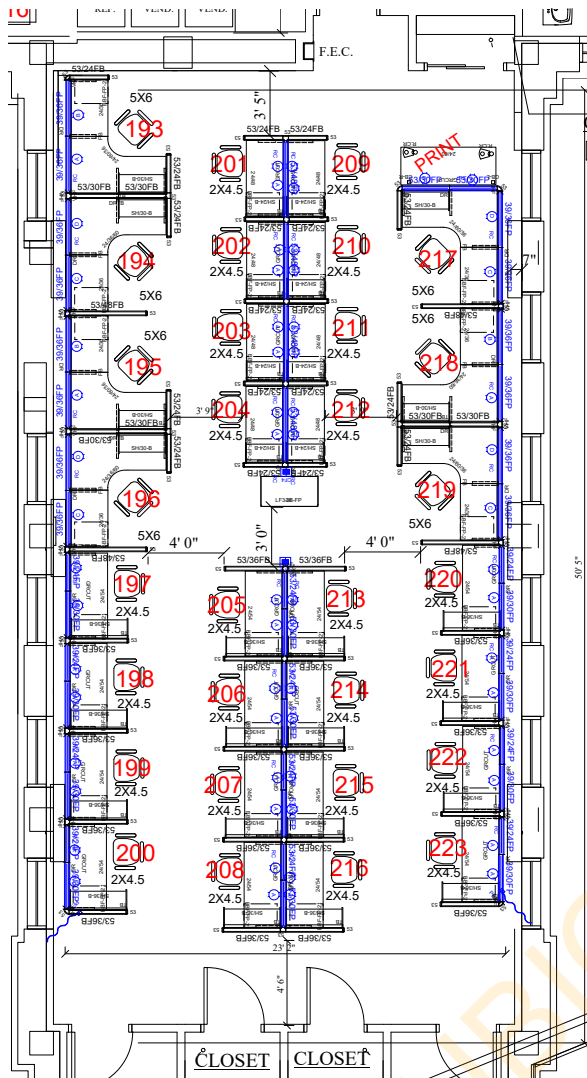
PAINT: MT

LAMINATE: SHADOW RIDGE



CUBICLE AREA - D

O2 Series Corporate Office Furniture



[31] POWERED STATIONS

- [7] 5'X6'X53/67"H
- [16] 2'X4.5'X53/67"H
- [8] 2'X4'X53/67"H

[1] 36"W 3-DRAWER LATERAL FILE

[1] PRINT STATION

* PANELS TRANSPARENT FOR VISUAL PURPOSE ONLY.

ACCESSORIES:

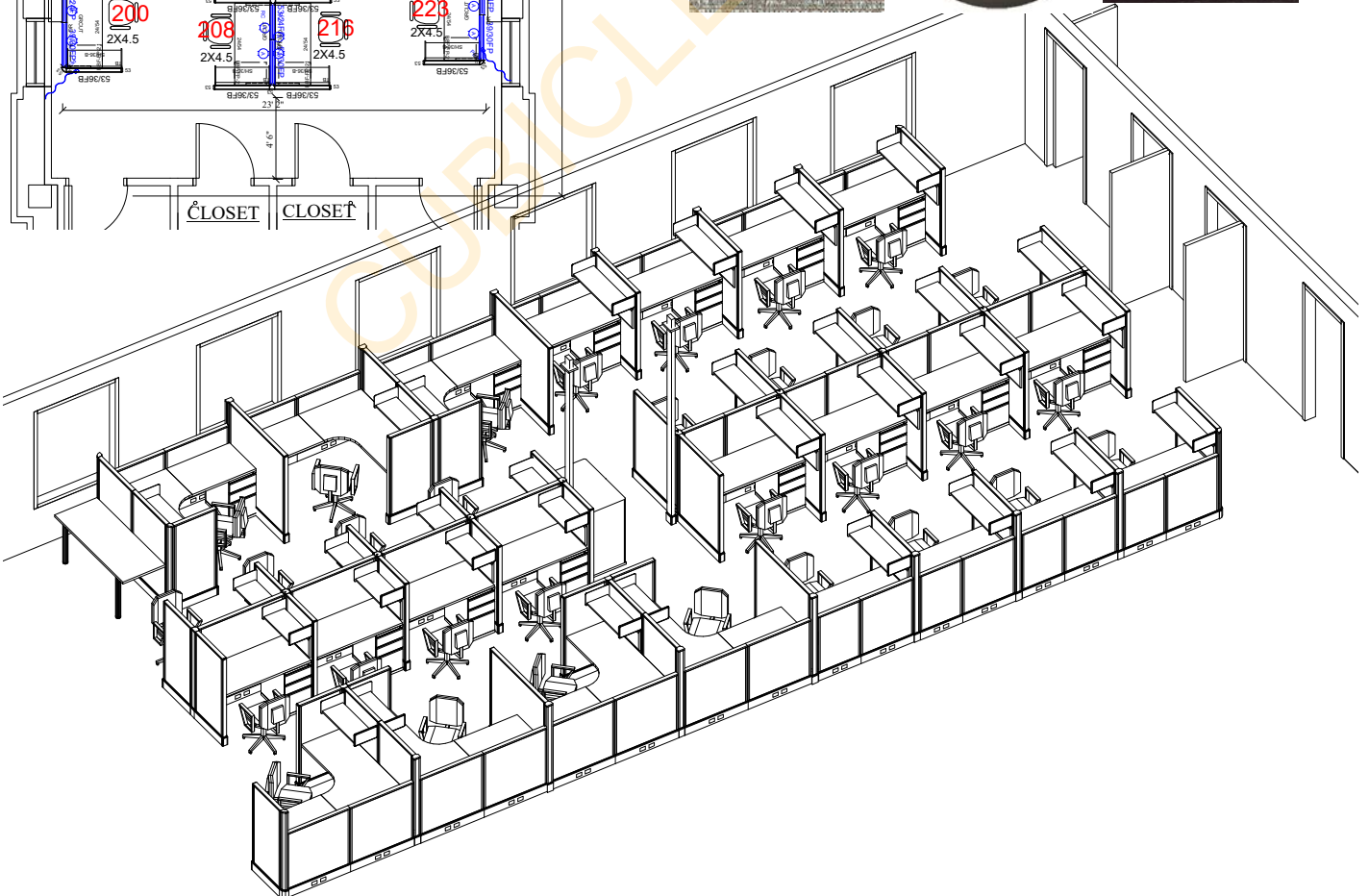
- HALF-HEIGHT SHELF - L-SHAPE STATIONS
- PEDESTAL
- TACKBOARD

FABRIC: BURCH FABRICS [COLLECTION:

UNISON | COLOR: PUTTY 7318

PAINT: MT

LAMINATE: SHADOW RIDGE



CUBICLE AREA - E

O2 Series Corporate Office Furniture

*PANELS ALONG AISLEWAY: @ 67" H
*PANELS TRANSPARENT FOR VISUAL PURPOSE ONLY.

[20] POWERED STATIONS

[20] 2'X5'X53/67" H

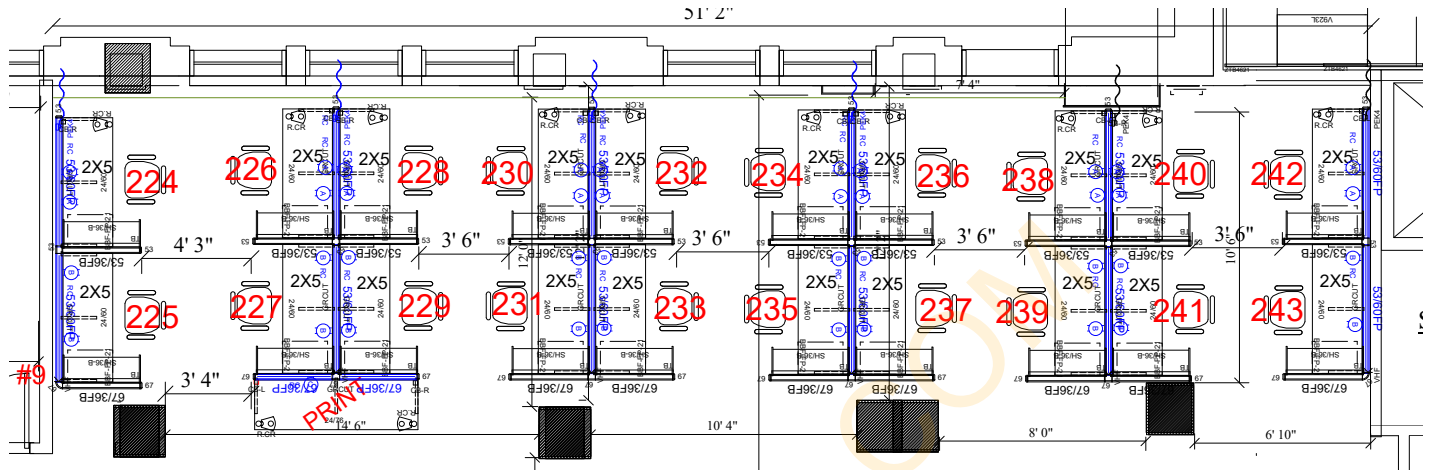
ACCESSORIES:

HALF-HEIGHT SHELF - L-SHAPE STATIONS

PEDESTAL

TACKBOARD

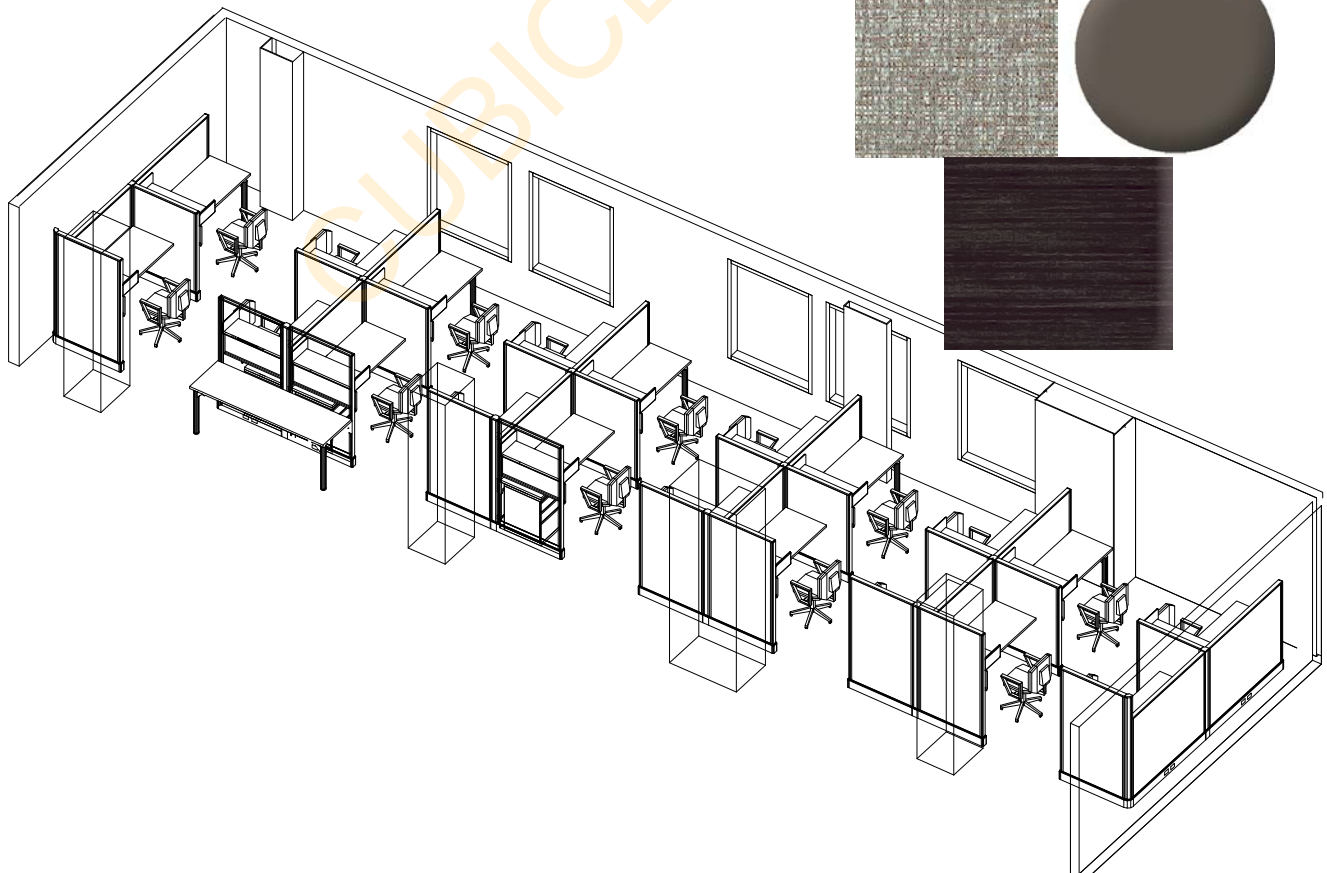
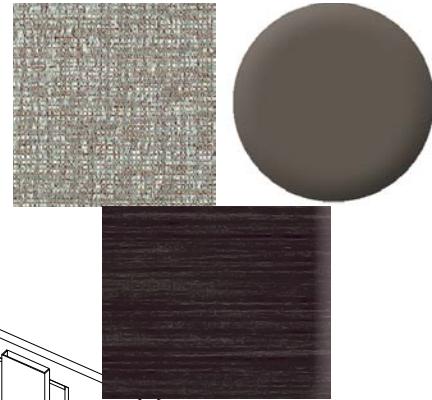
[1] PRINT STATION



FABRIC: BURCH FABRICS [COLLECTION: UNISON | COLOR: PUTTY 7318

PAINT: MT

LAMINATE: SHADOW RIDGE



CUBICLE AREA - F

*O2 Series Corporate Office Furniture

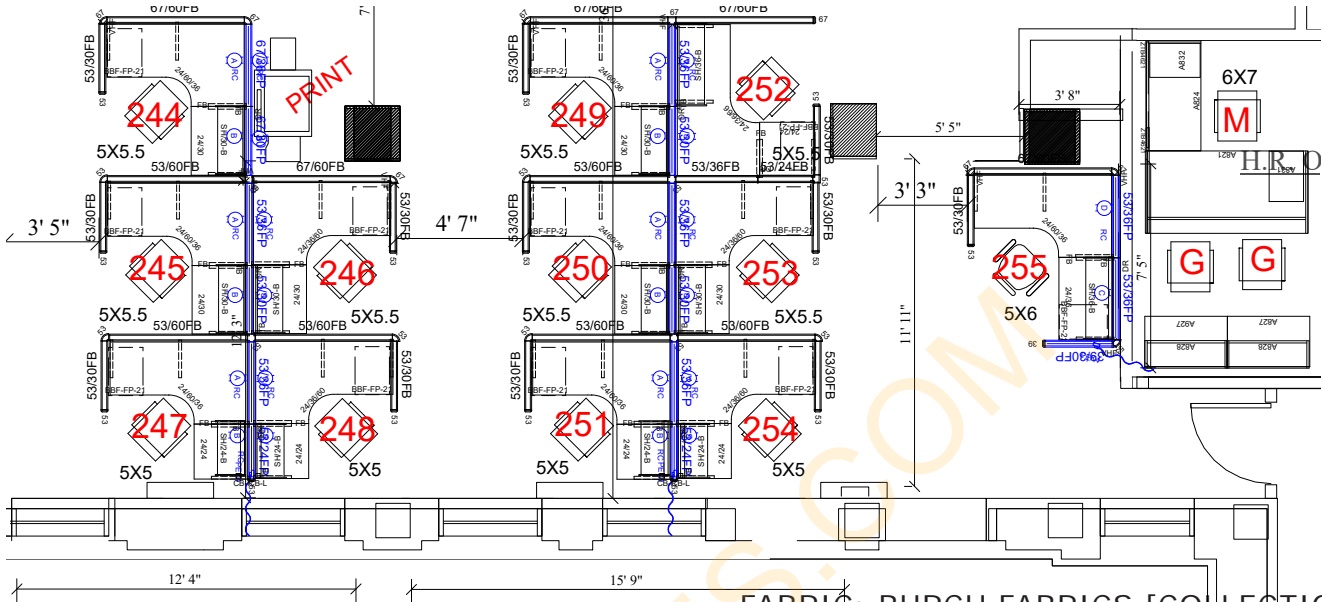
[12] POWERED STATIONS

- [1] 5'X6'X53"H
- [4] 5'X5'X53/67"H
- [7] 5'X5.5'X53/67"H

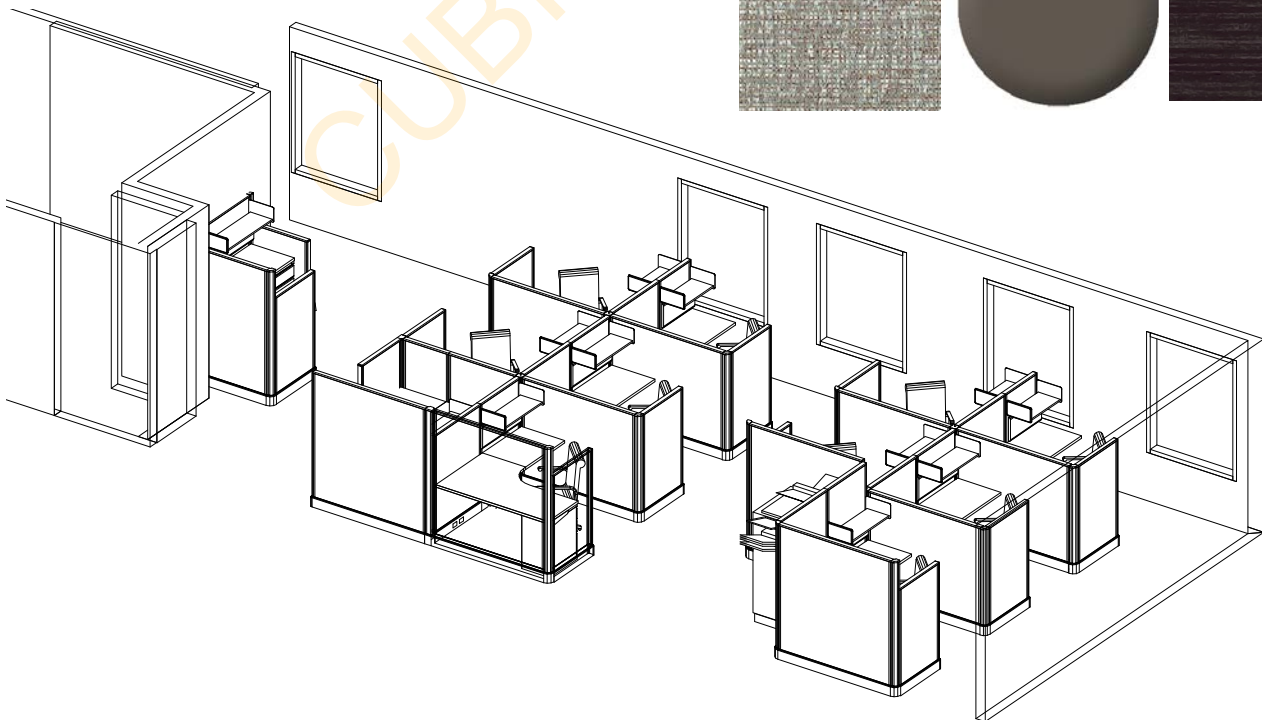
*PANELS ALONG AISLEWAY: @ 67" H
 *PANELS TRANSPARENT FOR VISUAL PURPOSE ONLY.

ACCESSORIES:

- HALF-HEIGHT SHELF - L-SHAPE STATIONS
- PEDESTAL
- TACKBOARD



FABRIC: BURCH FABRICS [COLLECTION: UNISON | COLOR: PUTTY 7318
 PAINT: MT
 LAMINATE: SHADOW RIDGE



D7 - DIRECTORS OFFICE

D7

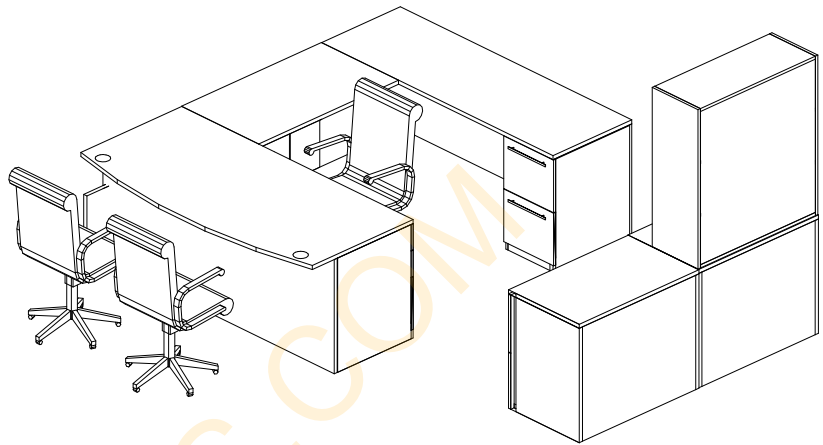
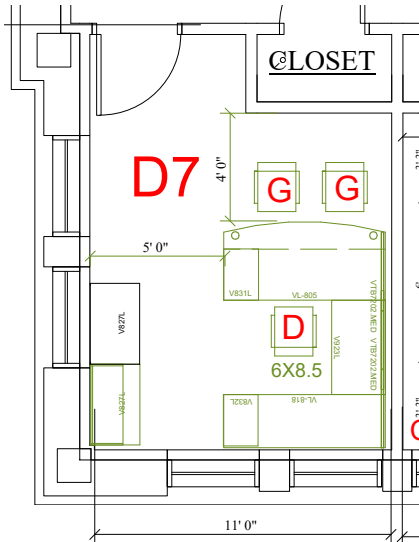
*CHERRYMAN 'VERDE' LAMINATE

U-SHAPE DESK: 6'X8.5' | BOW FRONT

GREEN - EXISTING
FURNITURE TO BE USED

ACCESSORIES:

- [1] BOX/BOX/FILE PEDESTAL
- [1] FILE/FILE PEDESTAL
- [1] COMBO: 2-DRAWER LATERAL FILE W/ OPEN BOOKSHELF ON TOP
- [1] 36"W 2-DRAWER LAT. FILE
- [1] 96"W X24"H TACKBOARD



D8 - DIRECTORS OFFICE

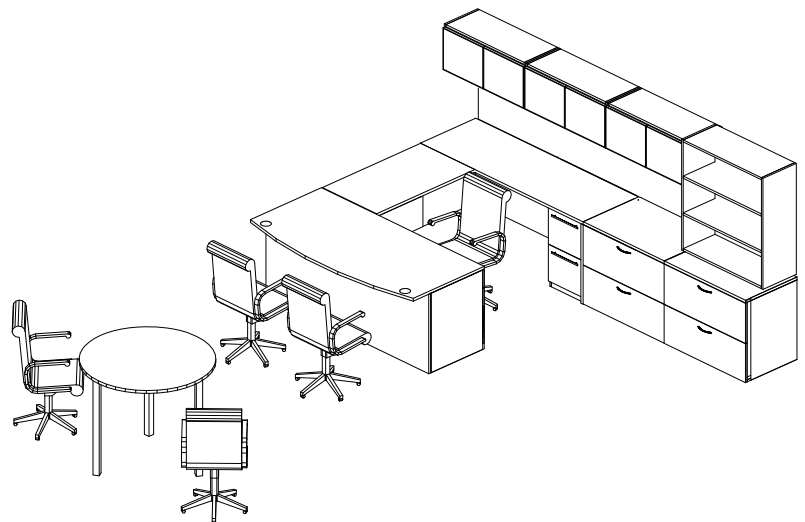
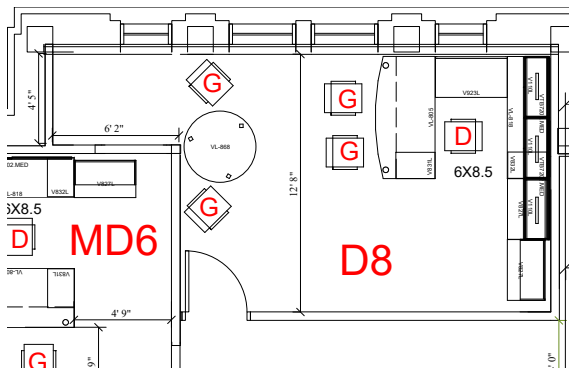
D8

*CHERRYMAN 'VERDE' LAMINATE

U-SHAPE DESK: 7'X8.5' | BOW FRONT

ACCESSORIES:

- [1] BOX/BOX/FILE PEDESTAL
- [1] FILE/FILE PEDESTAL
- [1] 36"W 2-DRAWER LAT. FILE
- [1] COMBO: 2-DRAWER LATERAL FILE W/ OPEN BOOKSHELF ON TOP
- [3] 36"W OVERHEAD UNITS W/ DOORS
- [1] 108"W X24"H TACKBOARD
- [1] 42" DIA. TABLE
- [3] LED TASK LIGHTS



D9 - DIRECTORS OFFICE

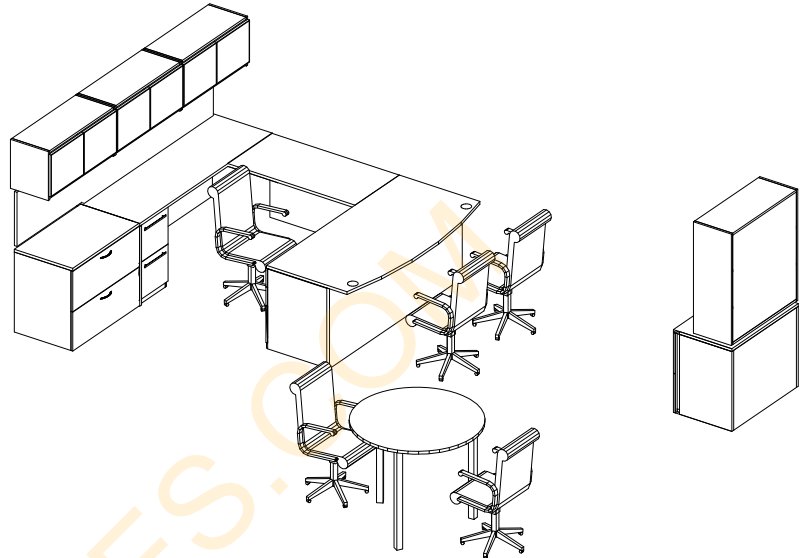
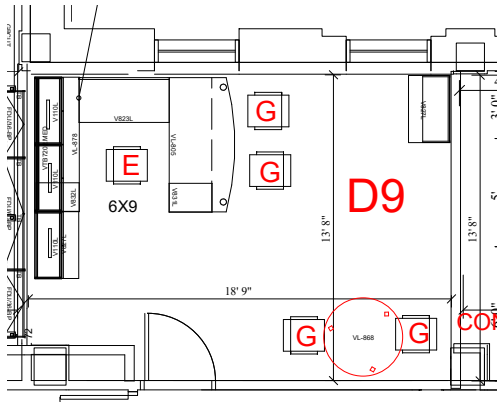
D9

*CHERRYMAN 'VERDE' LAMINATE

U-SHAPE DESK: 6'X8.5' | BOW FRONT

ACCESSORIES:

- [1] BOX/BOX/FILE PEDESTAL
- [1] FILE/FILE PEDESTAL
- [1] 36"W 2-DRAWER LAT. FILE
- [1] COMBO: 2-DRAWER LATERAL FILE W/ OPEN BOOKSHELF ON TOP
- [3] 36"W OVERHEAD UNITS W/ DOORS
- [1] 108"W X24"H TACKBOARD
- [1] 42" DIA TABLE
- [3] LED TASK LIGHTS



D10 - DIRECTORS OFFICE

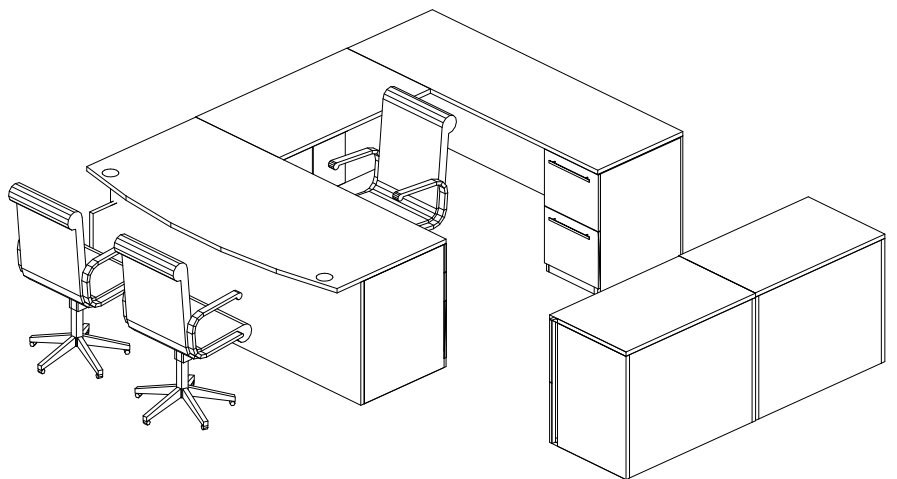
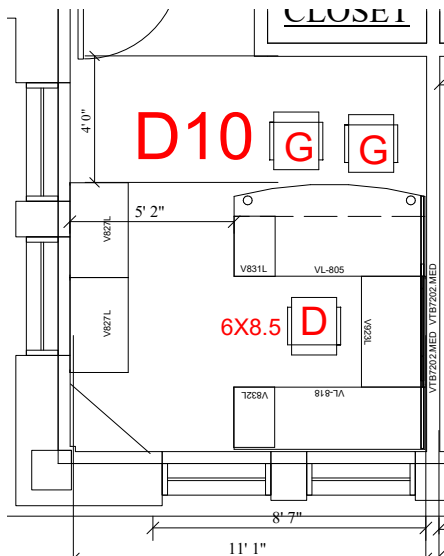
D10

*CHERRYMAN 'VERDE' LAMINATE

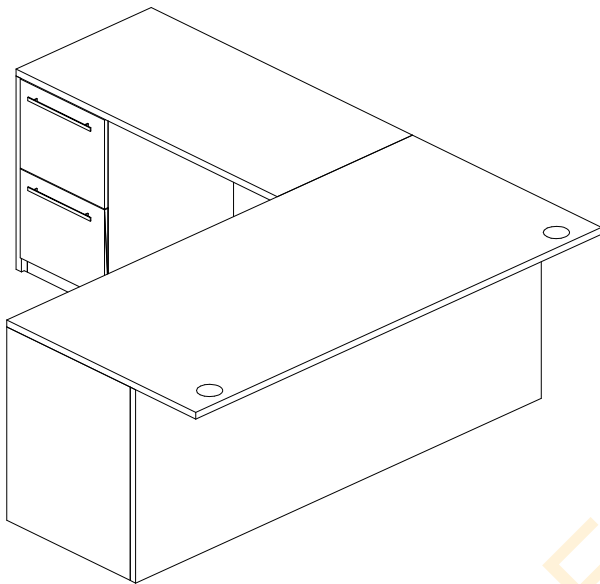
U-SHAPE DESK: 6'X8.5' | BOW FRONT

ACCESSORIES:

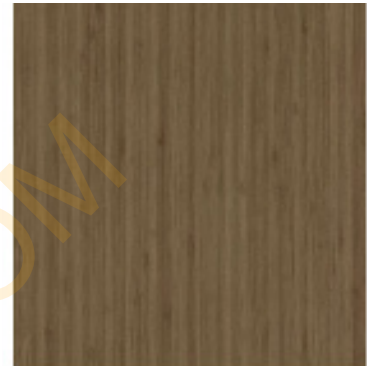
- [1] BOX/BOX/FILE PEDESTAL
- [1] FILE/FILE PEDESTAL
- [2] 36"W 2-DRAWER LAT. FILES
- [1] 96"W X24"H TACKBOARD



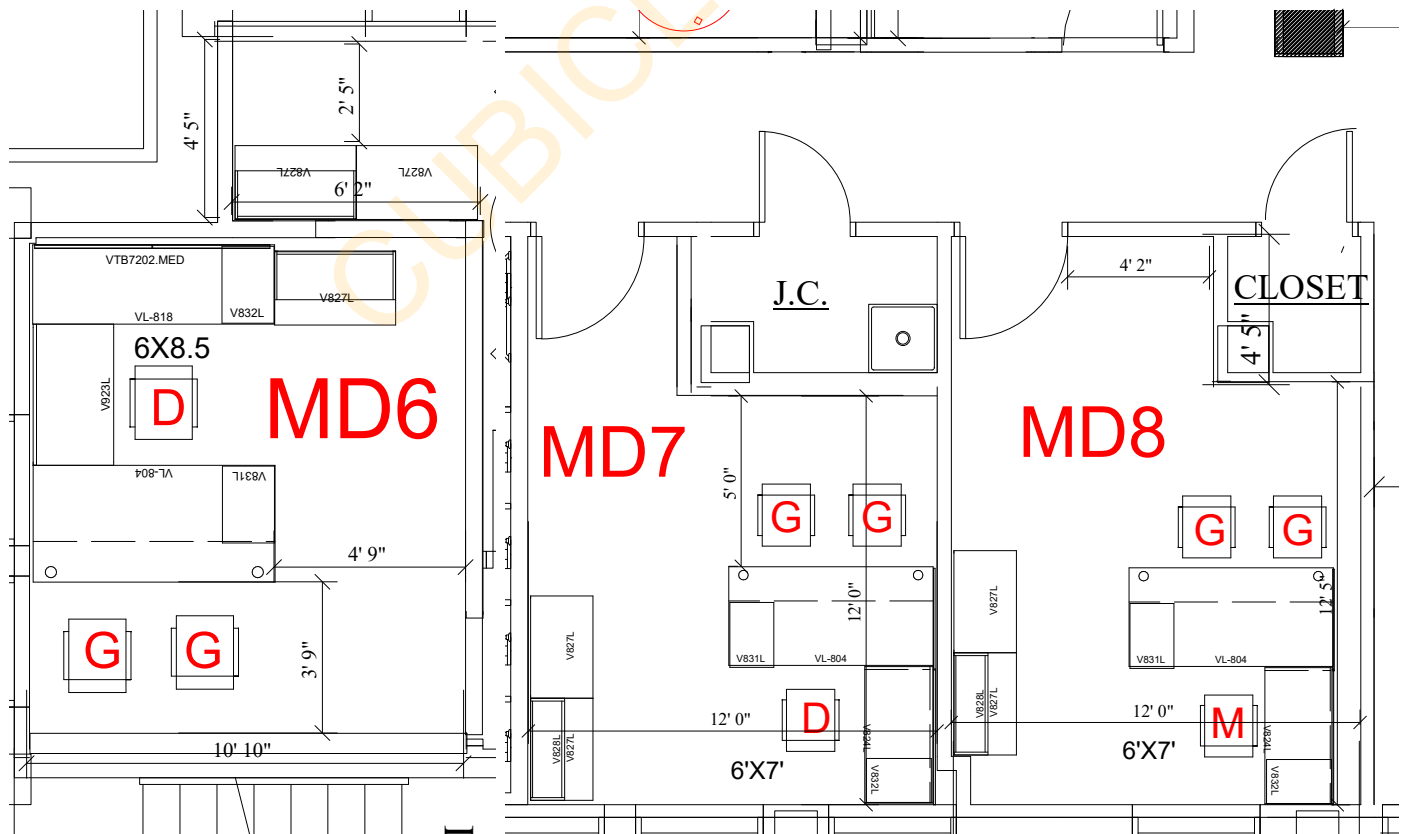
M[UPGRADED]- UPGRADED MANAGERS OFFICES - QTY. 3
 *CHERRYMAN 'VERDE'
 TYPICAL DESK



LAMINATE:
 LATTE BAMBOO
 HANDLES: SATIN
 NICKEL ALUMINUM

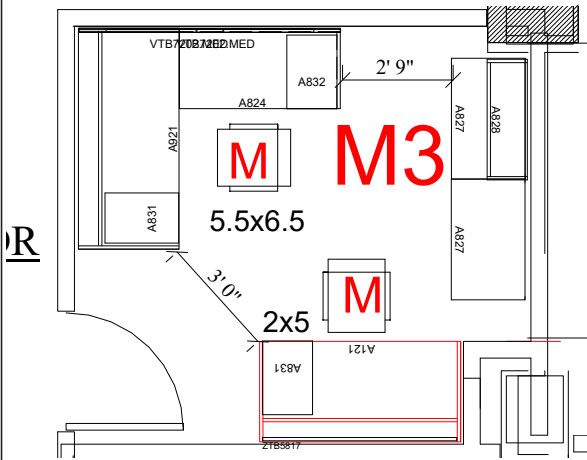


Latte Bamboo



M - MANAGERS OFFICES - QTY. 1 OFFICE | 2 DESKS
*CHERRYMAN 'AMBER' LAMINATE

M



LAMINATE:
PARK WALNUT

HANDLES:
SATIN NICKEL
ALUMINUM

